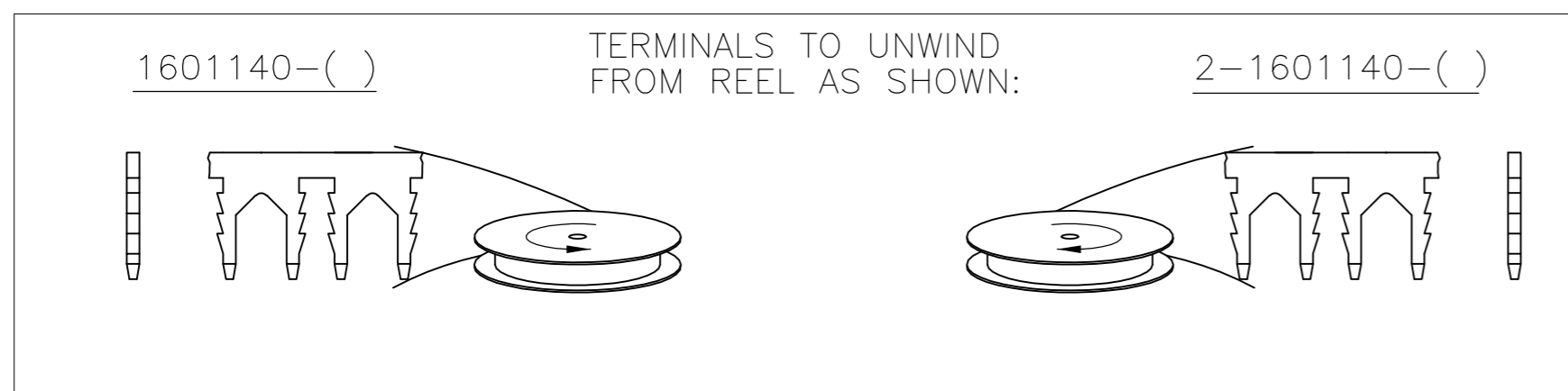
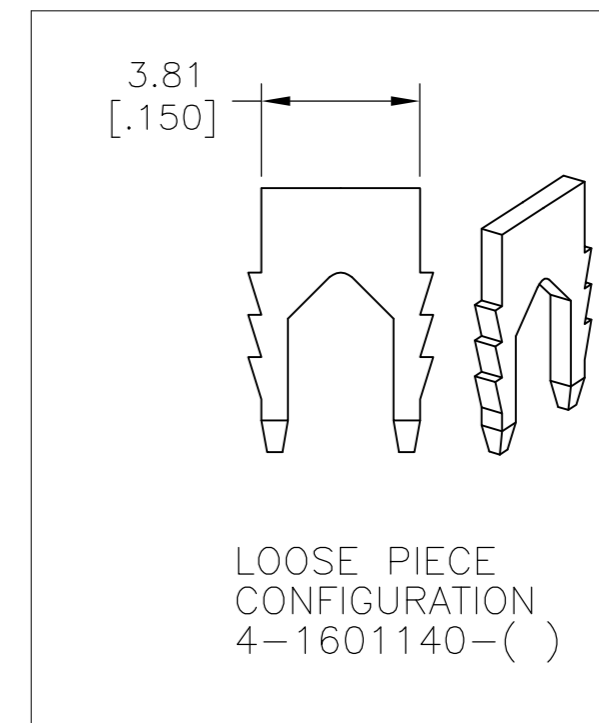
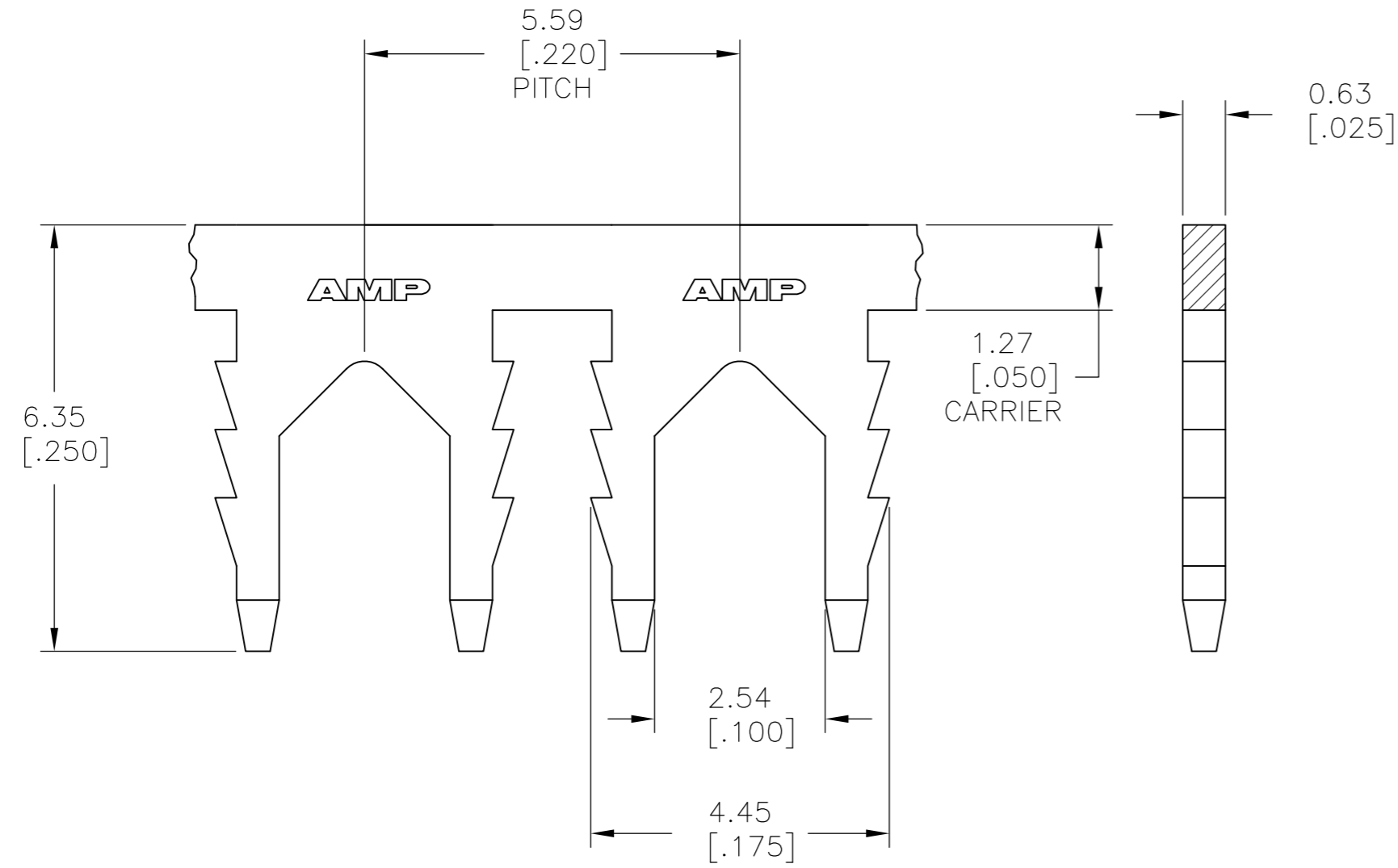


THIS DRAWING IS UNPUBLISHED. RELEASED FOR PUBLICATION  
 © COPYRIGHT BY TYCO ELECTRONICS CORPORATION. ALL INTERNATIONAL RIGHTS RESERVED.

LOC	DIST	REVISIONS			
P	LTR	DESCRIPTION	DATE	DWN	APVD
AF	50	C3	REVISED PER ECR-10-021309	19OCT10	HMR GJ

- SPECIFICATIONS:  
 LEAD WIRE #18 - #22 AWG, (0.8mm<sup>2</sup>-0.3mm<sup>2</sup>)  
 INSULATED LEAD WIRE.  
 MAX INSULATION O.D. 2.9mm(.115").  
 OTHER SIZES MAY BE ACCOMMODATED,  
 CONSULT TYCO ELECTRONICS FOR APPROVAL.
- POCKET RECOMMENDATION: #1601421
- STRAIN RELIEF APPLICATION TO COMPLY WITH  
 TYCO ELECTRONICS SPECIFICATION 114-13166, FIG 3



-	-	-
-	-	-
POST PLATED NICKEL	-	4-1601140-2
UNPLATED	053-001-000	4-1601140-1
UNPLATED	153-004-000	2-1601140-1
UNPLATED	153-001-000	1601140-1
FINISH	REFERENCE PART NUMBER	PART NUMBER
THIS DRAWING IS A CONTROLLED DOCUMENT.		DWN J.WELLER 11JAN2002
DIMENSIONS: mm [INCHES]		CHK M.FEHER 11JAN2002
TOLERANCES UNLESS OTHERWISE SPECIFIED:		APVD K.RANDOLPH 11JAN2002
0 PLC ± -	1 PLC ± 0.25[.010]	PRODUCT SPEC
2 PLC ± 0.13[.005]	3 PLC ± -	APPLICATION SPEC
4 PLC ± -	ANGLES ± 2°	3
MATERIAL BRASS, SPRING HARD	FINISH SEE TABLE	WEIGHT -
CUSTOMER DRAWING		SCALE 11:1
Tyco Electronics Corporation Harrisburg, PA 17105-3608		SIZE A2
LEAD-LOK II STRAIN RELIEF TERMINAL		CAGE CODE 00779
DRAWING NO C=1601140		DRAWING NO
RESTRICTED TO -		SHEET 1 OF 1
REV C3		REV C3